

## 25W STEREO AMPLIFIER WITH MUTE AND STAND-BY—YD7265

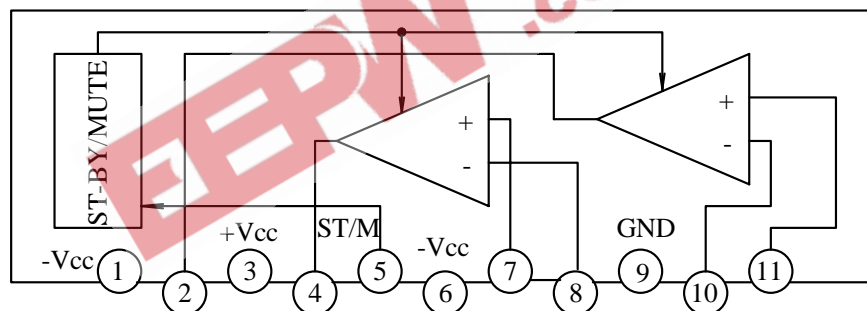
### DESCRIPTION

The YD7265 is class AB dual Audio power amplifier assembled in the Multiwatt package, specially designed for high quality sound application as Hi-Fi music centers and stereo TV sets.

### FEATURES

- \*WIDE SUPPLY VOLTAGE RANGE(UP TO  $\pm 25V$  ABS MAX.).
- \*HIGH OUTPUT POWER:25W( $V_{cc} = \pm 20V$ ,  $R_L = 8\Omega$ , THD=10%).
- \*NO POP AT TURN-ON/OFF.
- \*MUTE AND STAND-BY.
- \*SHORT CIRCUIT PROTECTION.
- \*THERMAL OVERLOAD PROTECTION.

### BLOCK DIAGRAM



PIN NO.	SYMBOL	PIN NO.	SYMBOL
1	-Vcc	7	IN+(2)
2	OUTPUT1	8	IN-(2)
3	+Vcc	9	GND
4	OUTPUT2	10	IN-(1)
5	ST-BY/MUTE	11	IN+(1)
6	-Vcc		

### WuXi YouDa Electronics Co., Ltd

Add: No.5 Xijin Road, National Hi-Tech Industrial Development Zone, Wuxi Jiangsu China  
 Tel: 86-510-85205117 86-510-85205106 Fax: 86-510-85205110 Website: www.e-youda.com  
 SHENZHEN OFFICE Tel: 86-755-83740369 Fax: 86-755-83741418

**ABSOLUTE MAXIMUM RATINGS** (Tamb=25°C)

PARAMETER	SYMBOL	VALUE	UNIT
DC Supply Voltage	Vcc	±25V	V
Output Peak Current(internally limited)	Io	4.5	A
Power Dissipation (Tc=70°C)	PD	30	W
Operating Temperature	Top	-20 to +85	°C
Storage Temperature	Tstg	-40 to +150	°C

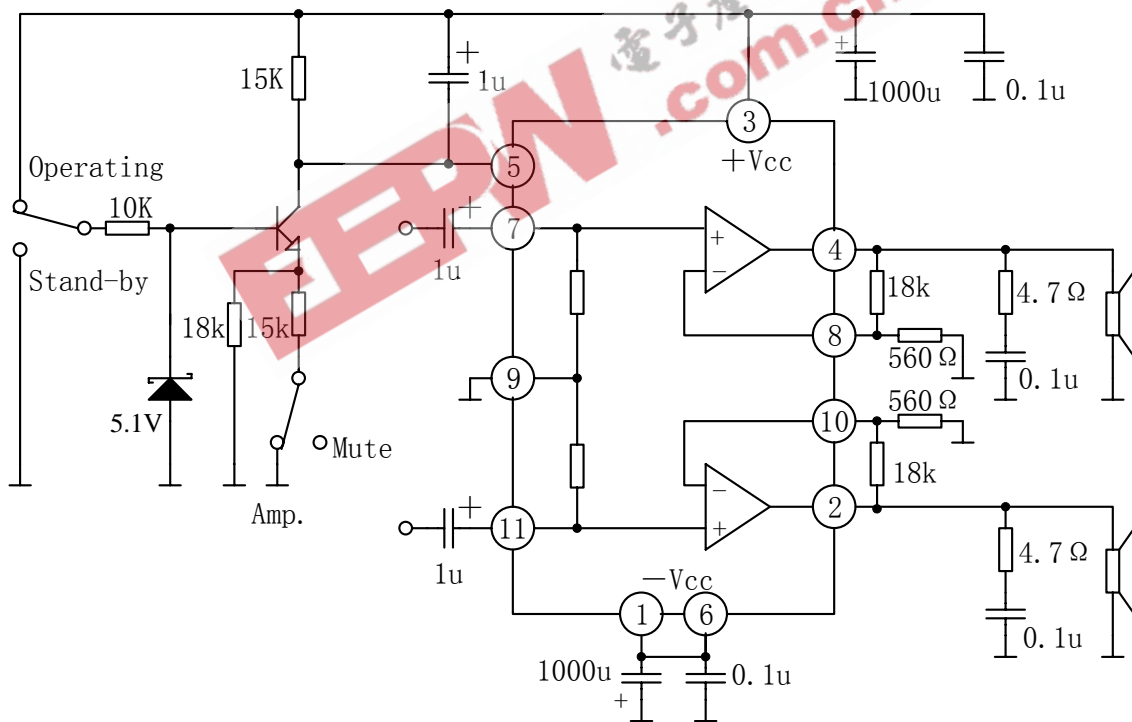
**ELECTRICAL CHARACTERISTICS**

(Vcc=±20V,RL=8Ω, Rg=50Ω, Gv=30dB,f=1KHz,Tamb=25°C,Unless otherwise specified.)

Parameter	Symbol	Test Condition	Min.	Typ.	Max.	Unit
Supply Range	Vcc		±5		±25	V
Quiescent Current	Iccq			80	130	mA
Input Offset Voltage	Vos		-20		+20	mV
Music Output Power	Po	THD=10%, RL=8Ω	20	25		W
		THD=1%, RL=8Ω		20		W
		THD=10%, Vs=±16V, RL=4Ω		25		W
		THD=1%, Vs=±16V, RL=4Ω		20		W
Total Harmonic Distortion	THD	Po=1W,f=1kHz		0.01		%
		Po=0.1~15W,f=100Hz~15kHz			0.7	%
		RL=4Ω, Po=1W,f=1kHz		0.02		%
		RL=4Ω, Vcc=±16V Po=0.1~12W,f=100Hz~15kHz			1	%
Cross Talk	CT	f=1kHz		70		dB
		f=10kHz		60		dB
Open Loop Voltage Gain	GOL			80		dB
Input Resistance	Ri		15	20		kΩ
Thermal Shut-down Junction Temperature	Tj			145		°C

Parameter	Symbol	Test Condition	Min.	Typ.	Max.	Unit
Mute/Play Threshold	V5 <sub>M</sub>		+Vcc -7.0	+Vcc -6.0	+Vcc -5.0	V
Mute Attenuation	G <sub>M</sub>		-60	-70		dB
Stand-by Threshold	V5 <sub>ST</sub>		+Vcc -3.5	+Vcc -2.5	+Vcc -1.5	V
Stand-by Attenuation	G <sub>stby</sub>			-110		dB
Quiescent Current With Stand-by	I <sub>stby</sub>			3		mA

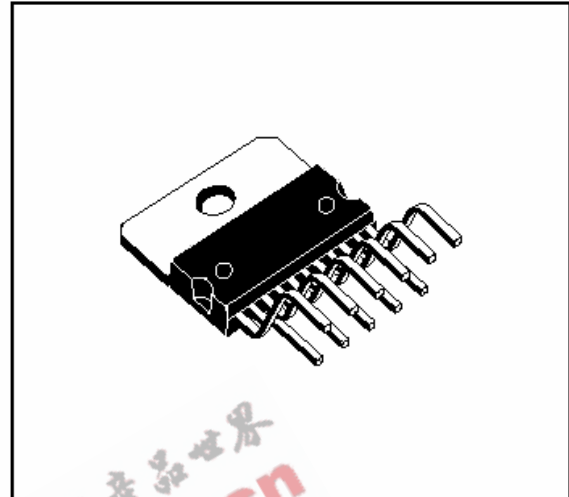
APPLICATION CIRCUIT



OUTLINE DRAWING

DIM.	mm			inch		
	MIN.	TYP.	MAX.	MIN.	TYP.	MAX.
A			5			0.197
B			2.65			0.104
C			1.6			0.063
D		1			0.039	
E	0.49		0.55	0.019		0.022
F	0.88		0.95	0.035		0.037
G	1.45	1.7	1.95	0.057	0.067	0.077
G1	16.75	17	17.25	0.659	0.669	0.679
H1	19.6			0.772		
H2			20.2			0.795
L	21.9	22.2	22.5	0.862	0.874	0.886
L1	21.7	22.1	22.5	0.854	0.87	0.886
L2	17.4		18.1	0.685		0.713
L3	17.25	17.5	17.75	0.679	0.689	0.699
L4	10.3	10.7	10.9	0.406	0.421	0.429
L7	2.65		2.9	0.104		0.114
M	4.25	4.55	4.85	0.167	0.179	0.191
M1	4.73	5.08	5.43	0.186	0.200	0.214
S	1.9		2.6	0.075		0.102
S1	1.9		2.6	0.075		0.102
Dia1	3.65		3.85	0.144		0.152

OUTLINE AND MECHANICAL DATA



Multiwatt11 V

