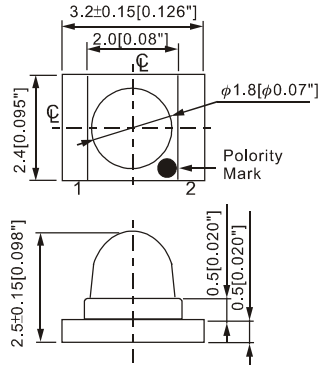




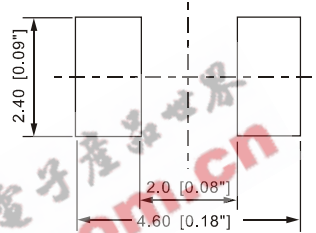
SURFACE MOUNT LED LAMPS



GH-S133 Series



For Reflow Soldering



Absolute Maximum Ratings

	UNIT	SPEC.
IF	mA	30
IFP	mA	120
VR	V	5
Topr	°C	-20 ~ +80
Tstg	°C	-20 ~ +100

NOTES: 1. All dimensions are in millimeters (inches);
 2. Tolerances are ± 0.1 mm (0.004 inch) unless otherwise noted;
 3. Resin color: water clear.

Part No.	Material	Emitted Color	V _r (V)		λ (nm)		I _v (mcd)
			Typ.	Max.	λ _d	λ _p	Typ.
RSS133TR-DPG	AlGaInP	Red	1.90	2.40	631	640	416
OLS133TR-DPG	AlGaInP	Orange	1.90	2.40	624	635	536
ALS133TR-DPG	AlGaInP	Amber	1.90	2.40	595	600	600
YVS133TR-DPE	AlGaInP	Yellow	2.00	2.50	593	595	456
GBS133TR-DPG	AlGaInP	Green	2.10	2.60	578	575	296
GES133TR-IPG	InGaIn	Green	3.20	3.80	527	525	960
BJS133TR-JPH	GaInN	Blue	3.40	4.00	465	460	288
BVS133TR-EPC	GaN/SiC	Blue	4.00	4.50	465	430	64