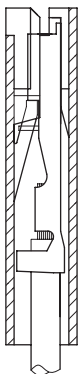
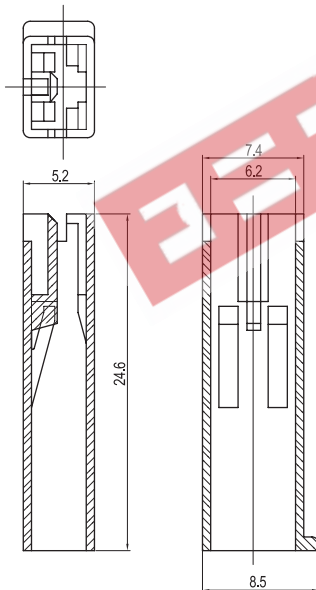
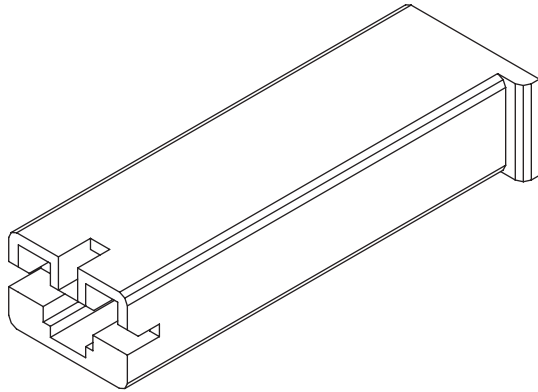


OTHER

**P-Lock Connector
Housing**

YRH187



TERMINAL ASSEMBLY DRAWING



AWG: #14~#18

Material

I/NO	DESCRIPTION	TITLE	MATERIAL
1	HOUSING	YRH187	PA66, UL94 V Grade

Specification

ITEM	SPEC
Voltage Rating	AC/DC 300V
Current Rating	AC/DC 5A
Operating Temperature	-25℃~+85℃
Contact Resistance	-
Withstanding Voltage	-
Insulation Resistance	-
Applicable Wire	-
Applicable P.C.B	-
Applicable FPC/FFC	-
Solder Height	-
Crimp Tensile Strength	-
UL FILE NO	-

Application Terminal : YRT187