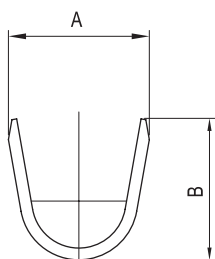
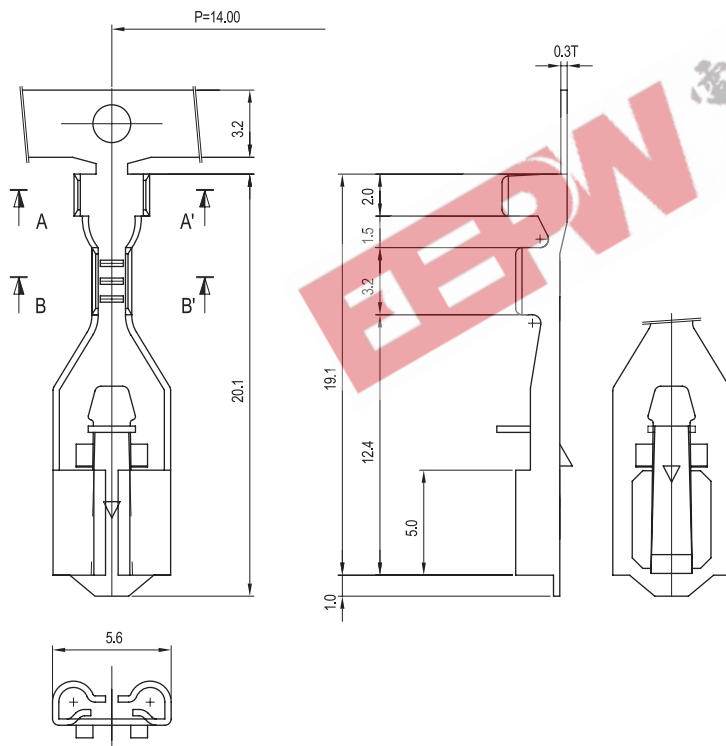
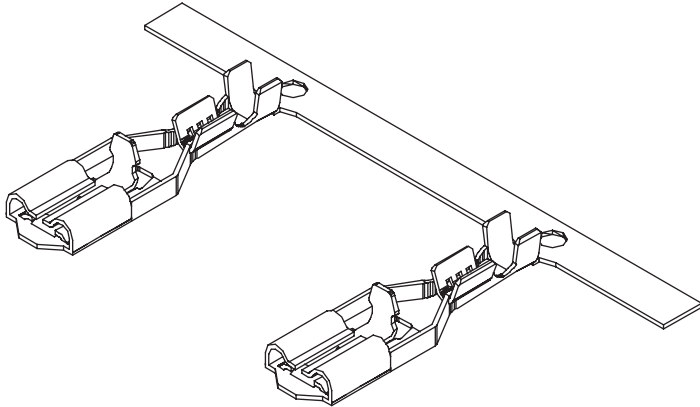


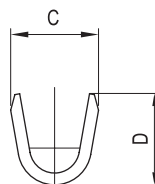
# OTHER

## P-Lock Receptacle Crimp Terminal

YRT187



SECTION A-A'



SECTION B-B'

### Material

I/NO	DESCRIPTION	TITLE	AWG	MATERIAL	FINISH
1	TERMINAL	YRT187(S)	#24~#20	Brass	Tin-Plated
2	TERMINAL	YRT187(M)	#22~#18	Brass	Tin-Plated

### Section Barrel

PARTS NO.	A	B	C	D
YRT187(S)	3.1	3.1	2.0	2.1
YRT187(M)	4.8	4.6	2.6	3.2

### Specification

ITEM	SPEC
Voltage Rating	AC/DC 300V
Current Rating	AC/DC 5A
Operating Temperature	-25°C~+85°C
Contact Resistance	30mΩ MAX
Withstanding Voltage	-
Insulation Resistance	-
Applicable Wire	AWG #18~#24
Applicable P.C.B	-
Applicable FPC/FFC	-
Solder Height	-
Crimp Tensile Strength	AWG #18 : 4.5kgfMIN AWG #20 : 4.0kgfMIN AWG #22 : 3.5kgfMIN AWG #24 : 3.0kgfMIN
UL FILE NO	E190572

### Application Tab

HOLE	WIDTH	THICKNESS
ø 1.3	4.75mm	0.3~1.2mm