

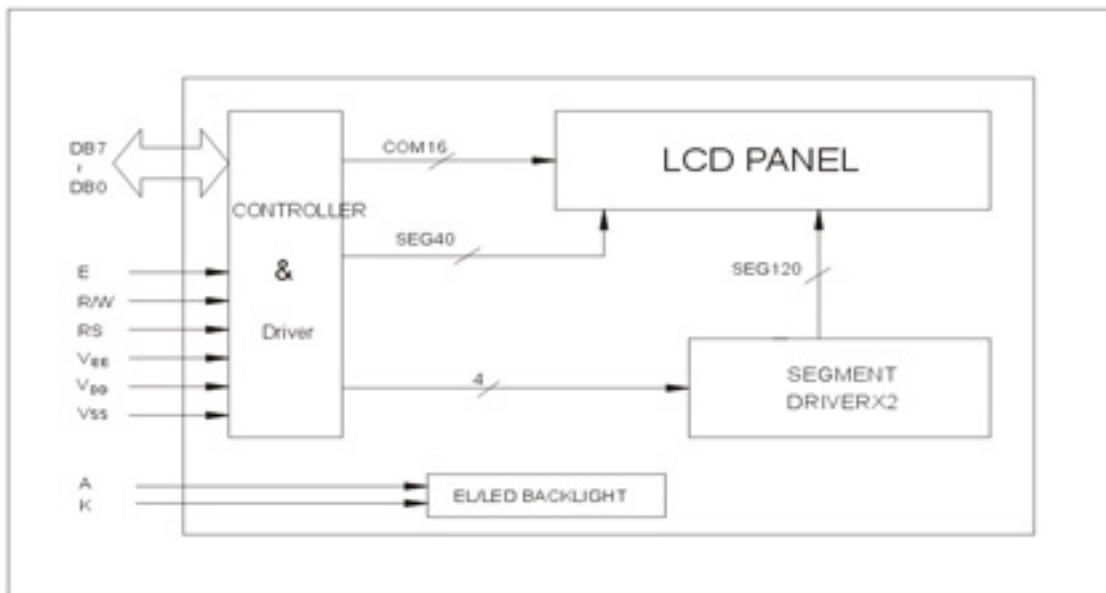
## 2 MECHANICAL DATA

ITEM	SPECIFICATION	UNIT
Module Size(WXHXT)	87.0 x 60.0 x 9.0 (LED:14.0)	mm
Viewing Area(WXH)	61.8 x 25.2	mm
Character Font(WXH)	5 x 7 with Cursor	dots
Character Size(WXH)	2.95 x 4.75	mm
Character Pitch(WXH)	3.55 x 5.35	mm
Dot Size(WXH)	0.55 x 0.55	mm

## 3 PIN CONFIGURATION

PIN	SYMBOL	SIGNAL DESCRIPTION
1	V <sub>SS</sub>	GND(0V)
2	V <sub>DD</sub>	Power Supply(5V)
3	V <sub>EE</sub>	Supply Voltage LCD Driver
4	RS	Register Select-LOW=Instruction,HIGH=Data
5	RW	Read/Write LOW=MPU to LCM,HIGH=LCM to MPU
6	E	Eable RW=LOW:Data are talking over at falling edge RW=HIGH:Data can be read at E=1
7 to 14	DB <sub>0</sub> to DB <sub>7</sub>	Data Bus-Software Selectable 4 or 8bit Mode
15	A	Anode of LED Unit
16	K	Cathode of LED Unit

## 4 BLOCK DIAGRAM



## 5 ABSOLUTE

PARAMETER
Supply Voltage Logic
Supply Voltage Driver
Input Voltage
Operating Temp.
Storage Temp.

## 6 ELECTRI

ITEM	
Supply Voltage (Logic)	
Supply Current (Logic)	
Input Voltage	"HI"
	"LO"
Output Voltage	"HI"
	"LO"
LCD Operating Voltage	
Supply Voltage LCD Drive	

Note(1) : ( ) Value is high R  
Note(2) : Electro-Optical C

## 7 BACKLIC

### LED

ITEM
Supply Voltage
Power Consumption
Luminous