

3.96mm (0.156") PITCH CONNECTOR

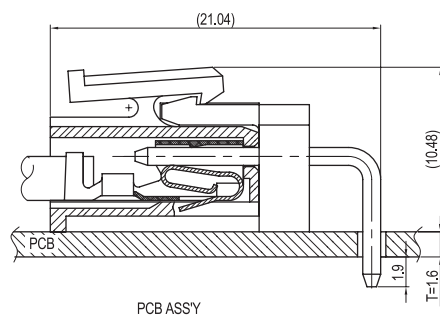
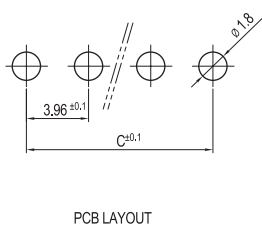
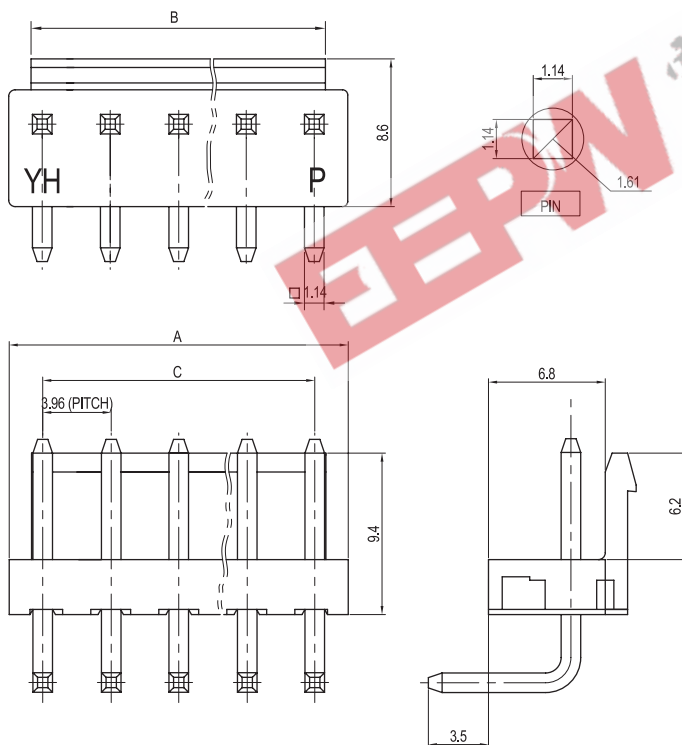
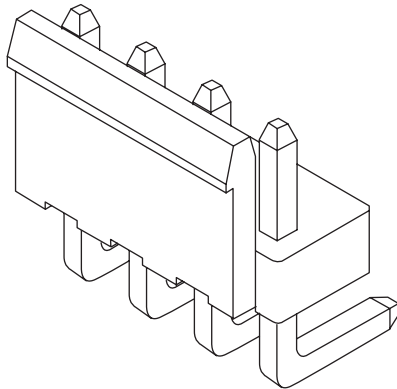


Wire-to-Board
Wafer

YAW396-NNV Series

DIP

Right Angle



Material

I/NO	DESCRIPTION	TITLE	MATERIAL
1	WAFER	YAW396-NNV	PA66, UL94 V Grade
2	PIN		Brass & Tin-Plated

Available Pin

PARTS NO.	DIM. A	DIM. B	DIM. C
YAW396-02V	7.86	5.26	3.96
YAW396-03V	11.82	9.22	7.92
YAW396-04V	15.78	13.18	11.18
YAW396-05V	19.74	17.14	15.84
YAW396-06V	23.70	21.10	19.80
YAW396-07V	27.66	25.06	23.76
YAW396-08V	31.62	29.02	27.72
YAW396-09V	35.58	32.98	31.68
YAW396-10V	39.54	36.94	35.64
YAW396-11V	43.14	40.90	39.60
YAW396-12V	47.10	44.86	43.56
YAW396-13V	51.06	48.82	47.52
YAW396-14V	55.02	52.78	51.48
YAW396-15V	58.98	56.74	55.44

◆ YAW396-NN*V

- 1) "A" : Blank Pin No. of odd only.
- 2) "Numeral" : Blank Pin No.

Specification

ITEM	SPEC
Voltage Rating	AC/DC 250V
Current Rating	AC/DC 7.5A
Operating Temperature	-25℃~+85℃
Contact Resistance	30mΩ MAX
Withstanding Voltage	AC1500V/1min
Insulation Resistance	1000MΩ MIN
Applicable Wire	-
Applicable P.C.B	1.2~1.6mm
Applicable FPC/FFC	-
Solder Height	-
Crimp Tensile Strength	-
UL FILE NO	E108706