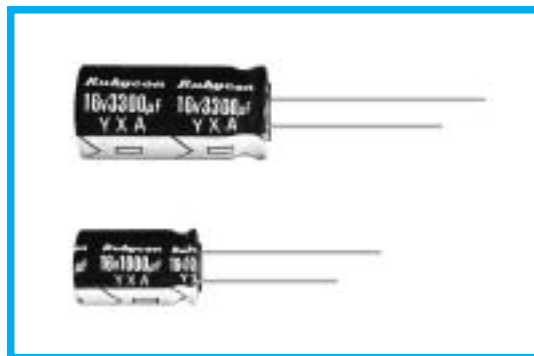


YXA SERIES
105°C Standard
◆FEATURES

- RoHS compliance.

YXA

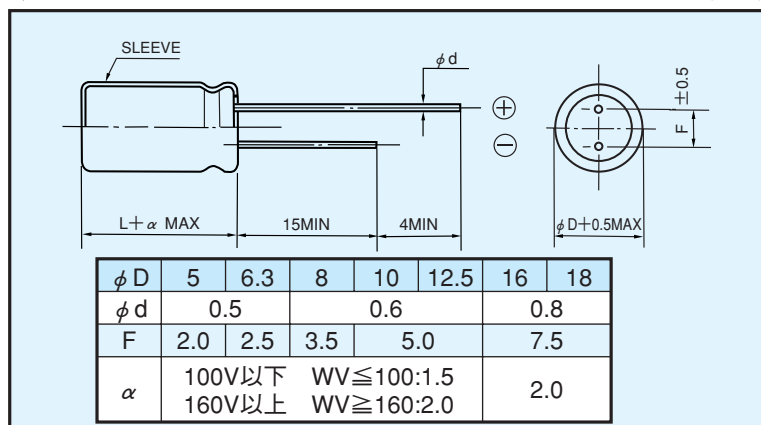
Low Impedance

YXF, YXG, ZL, ZLH

◆SPECIFICATIONS

Items	Characteristics														
Category Temperature Range	-55~+105°C	-40~+105°C	-25~+105°C												
Rated Voltage Range	6.3~100V.DC	160~250V.DC	350~450V.DC												
Capacitance Tolerance	±20%(20°C, 120Hz)														
Leakage Current(MAX)	6.3~100V.DC		160~450V.DC												
	I=0.01CV or 3 μA whichever is greater. (After 2 minutes application of rated voltage)		CV ≤ 1000												
			CV > 1000												
		I=0.1CV+40 μA (1 minute) I=0.03CV+15 μA (5 minutes)	I=0.04CV+100 μA (1 minute) I=0.02CV+25 μA (5 minutes)												
		I=Leakage Current(μ A)	C=Rated Capacitance(μ F) V=Rated Voltage(V)												
Dissipation Factor(MAX) (tan δ)	Rated Voltage (V)	6.3 10 16 25 35 50 63 100 160 200 250 350 400 450 (20°C, 120Hz)													
	tan δ	0.26	0.22	0.18	0.16	0.14	0.12	0.10	0.08	0.20	0.20	0.20	0.24	0.24	0.24
		When rated capacitance is over 1000 μF, tan δ shall be added 0.02 to the listed value with increase of every 1000 μF.													
Endurance	After life test with rated ripple current at conditions stated in the table below, the capacitors shall meet the following requirements.														
	Capacitance Change	Within ±25% of the initial value.											Case Dia	Life Time (hrs)	
	Dissipation Factor	Not more than 200% of the specified value.											φ D ≤ 8	1000	
	Leakage Current	Not more than the specified value.											φ D = 10	2000	
													φ D ≥ 12.5	3000	
Low Temperature Stability Impedance Ratio(MAX)	Rated Voltage (V)	6.3 10 16 25 35 50 63 100 160 200 250 350 400 450 (120Hz)													
	Z(-25°C)/Z(20°C)	4	3	2	2	2	2	2	2	3	3	3	6	6	6
	Z(-40°C)/Z(20°C)	8	6	4	4	3	3	3	3	-	-	-	-	-	-

◆DIMENSIONS

(mm)

◆MULTIPLIER FOR RIPPLE CURRENT


Frequency coefficient

Frequency (Hz)		60(50)	120	500	1k	10k ≤
Coefficient	0.1~1 μF	0.50	1.00	1.20	1.30	1.50
	2.2~4.7 μF	0.65	1.00	1.20	1.30	1.50
	10~47 μF	0.80	1.00	1.20	1.30	1.50
	100~1000 μF	0.80	1.00	1.10	1.15	1.20
	2200~22000 μF	0.80	1.00	1.05	1.10	1.15

◆PART NUMBER

□□□	YXA	□□□□□	□	□□□	□□	D×L
Rated Voltage	Series	Rated Capacitance	Capacitance Tolerance	Option	Lead Forming	Case Size

