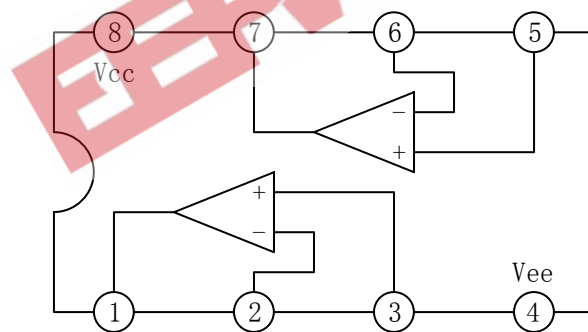


DUAL HIGH CURRENT OPERATIONNAL AMPLIFIER—YD3414**DESCRIPTION**

The YD3414 integrated circuit is a high gain, high output current, high output voltage swing dual operational amplifier capable of driving 70mA.

FEATURES

- *Single Supply.
- *Operating Voltage (+3V~+15V).
- *High Output Current (70mA).
- *Slew Rate (1.0V/ μ m typ).
- *Package Outline: DIP8, SOP8.
- *Bipolar Technology.

BLOCK DIAGRAM**WuXi YouDa Electronics Co., Ltd**

Add: No.5 Xijin Road, National Hi-Tech Industrial Development Zone, Wuxi Jiangsu China

Tel: 86-510-85205117 86-510-85205106 Fax: 86-510-85205110 Website: www.e-youda.com

SHENZHEN OFFICE Tel: 86-755-83740369 Fax: 86-755-83741418

ABSOLUTE MAXIMUM RATINGS (Tamb=25°C)

PARAMETER	SYMBOL	VALUE	UNIT
Supply Voltage	Vcc	±7.5 or 15	V
Differential Input Voltage	V _{ID}	15	V
Input Voltage	V _{IC}	-0.3~15	V
Power Dissipation (DIP8)	P _{D1}	500	mW
Power Dissipation (SOP8)	P _{D2}	250	mW
Operating temperature	T _{opr}	-20~75	°C
Storage Temperature	T _{stg}	-40~150	°C

ELECTRICAL CHARACTERISTICS

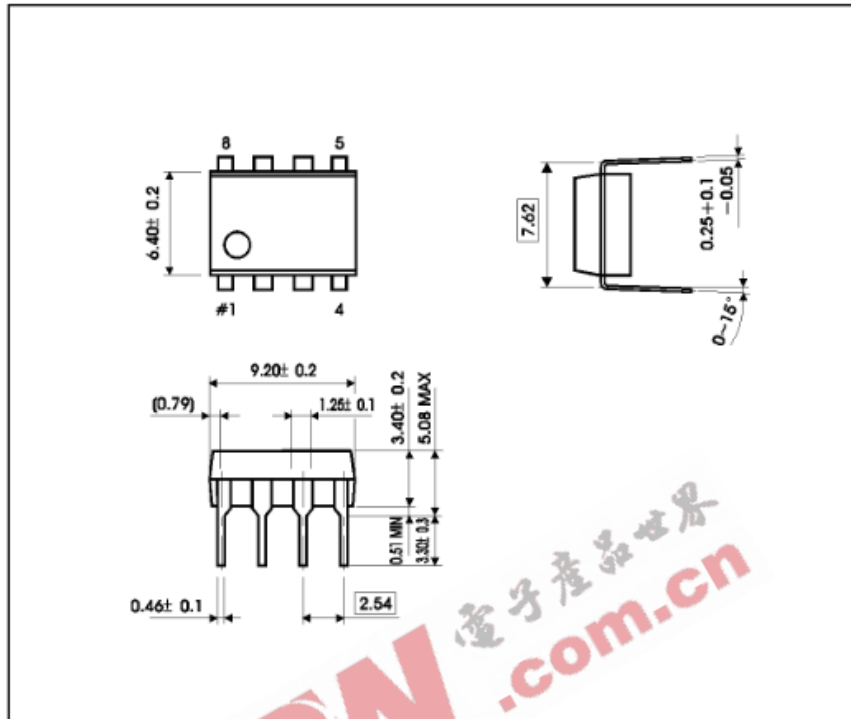
(V_{CC}=8.6V, V_{ee}=0V, Tamb=25°C, Unless otherwise specified)

PARAMETER	SYMBOL	TEST CONDITIONS	MIN	TYP	MAX	UNIT
Input Offset Voltage	V _{IO}	R _S =0 Ω		2	5	mV
Input Offset Current	I _{IO}			5	100	nA
Input Bias Current	I _{IB}			100	500	nA
Large Signal Voltage Gain	A _V	R _L =2k Ω	88	100		dB
Input Common Voltage Range	V _{ICM}		V _{CC} -2			V
Maximum Output Voltage Swing 1	V _{OM1}	R _L ≥10k Ω, V ₊ =5V	3.5			V
Maximum Output Voltage Swing 2	V _{OM2}	R _L =2 k Ω, V ₊ =5V	3.2			V
Common Mode Rejection Ratio	K _{CMR}		80	90		dB
Supply Voltage Rejection Ratio	K _{SVR}		80	90		dB
Operating Current	I _{CC}	R _L =∞	3	4	5	mA
Slew Rate	SR	A _V =1, R _L =2k Ω		1.0		V/μ S
Gain Bandwidth Product	BW			1.3		MHz
Operating Voltage Range	V _{CC}				15	V

OUTLINE DRAWING

DIP-8

unit:mm



SOP-8

unit:mm

