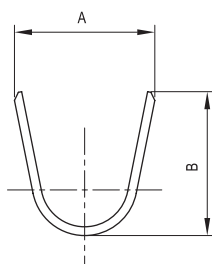
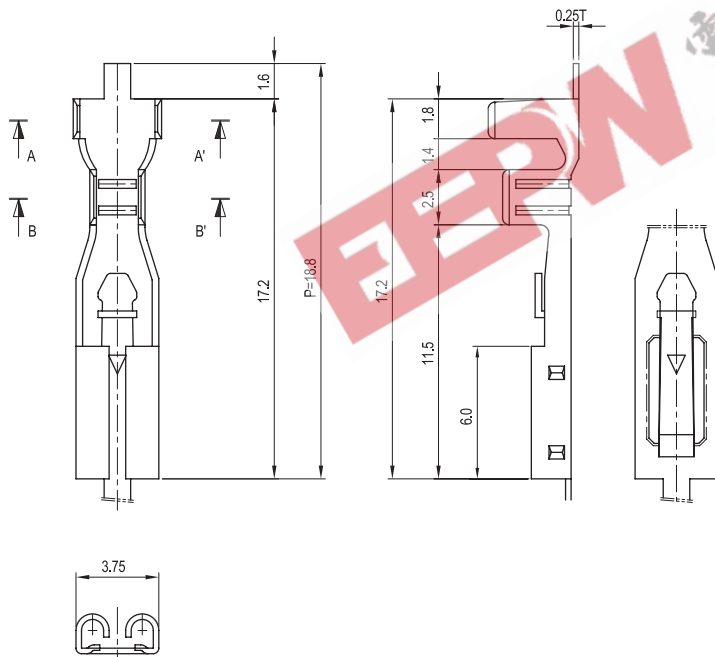
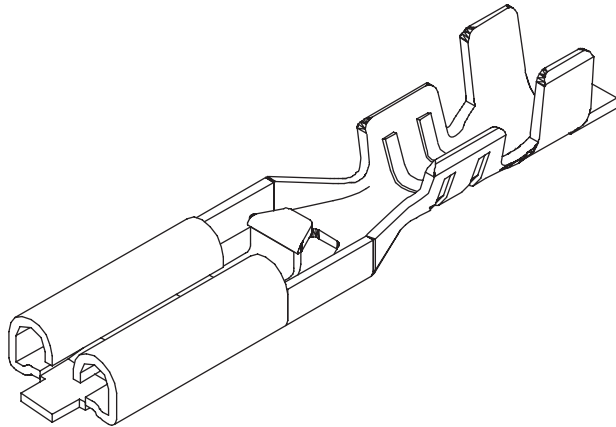


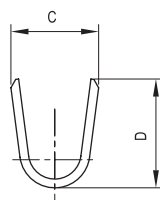
OTHER

P-Lock Connector Crimp Terminal

YRT110(S)/YRT110(M)



SECTION A-A'



SECTION B-B'

Material

I/NO	DESCRIPTION	TITLE	AWG	MATERIAL	FINISH
1	TERMINAL	YRT110(S)	#24~#20	Brass	Tin-Plated
2	TERMINAL	YRT110(M)	#22~#18	Brass	Tin-Plated

Section Barrel

PARTS NO.	A	B	C	D
YRT110(S)	3.1	3.0	1.9	2.1
YRT110(M)	4.0	4.1	2.4	3.1

Specification

ITEM	SPEC
Voltage Rating	AC/DC 300V
Current Rating	AC/DC 5A
Operating Temperature	-25℃~+85℃
Contact Resistance	30mΩ MAX
Withstanding Voltage	-
Insulation Resistance	-
Applicable Wire	AWG #18~#26
Applicable P.C,B	∅ 0.5
Applicable FPC/FFC	-
Solder Height	-
Crimp Tensile Strength	AWG #18 : 4.5kgfMIN AWG #20 : 4.0kgfMIN AWG #22 : 3.5kgfMIN AWG #24 : 3.0kgfMIN
UL FILE NO	-

Application Tab

HOLE	WIDTH	THICKNESS
∅ 1.2	2.8mm	0.3~0.5mm