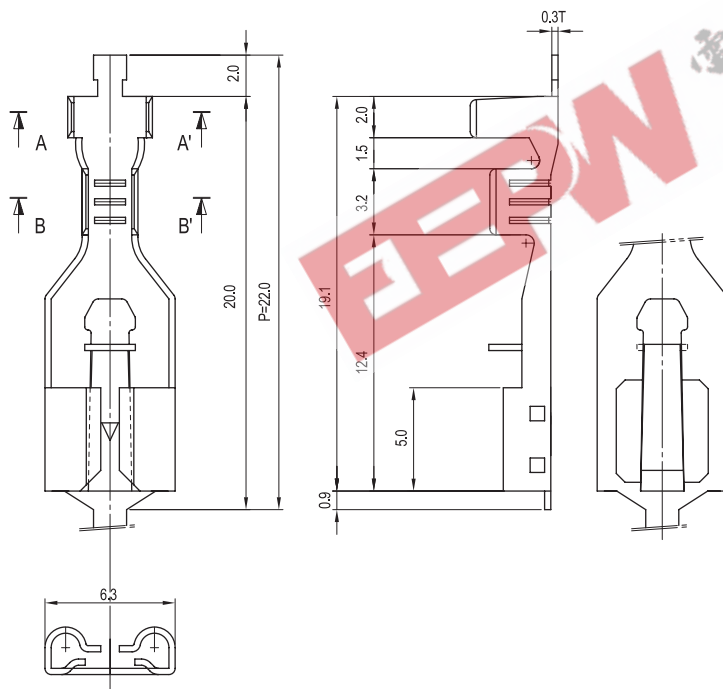
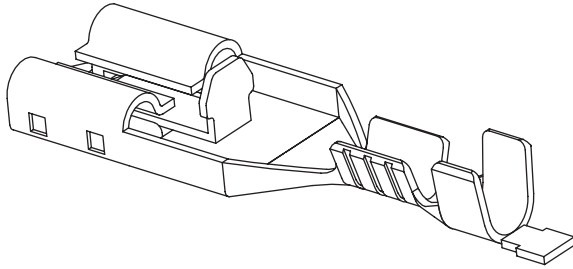


OTHER

P-Lock Receptacle Crimp Terminal

YRT205



SECTION A-A'

SECTION B-B'

Material

I/NO	DESCRIPTION	TITLE	AWG	MATERIAL	FINISH
1	TERMINAL	YRT205-05SE	#24~#20	Brass	Tin-Plated

Specification

ITEM	SPEC
Voltage Rating	AC/DC 300V
Current Rating	AC/DC 5A
Operating Temperature	-25°C~+85°C
Contact Resistance	-
Withstanding Voltage	-
Insulation Resistance	-
Applicable Wire	AWG #20~#24
Applicable P.C.B	-
Applicable FPC/FFC	-
Solder Height	-
Crimp Tensile Strength	AWG #20 : 4.0kgfMIN AWG #22 : 3.5kgfMIN AWG #24 : 3.0kgfMIN
UL FILE NO	-

Application Tab

HOLE	WIDTH	THICKNESS
ø 1.4	5.2mm	0.5mm