

DUAL OPERATIONNAL AMPLIFIER—YD4560

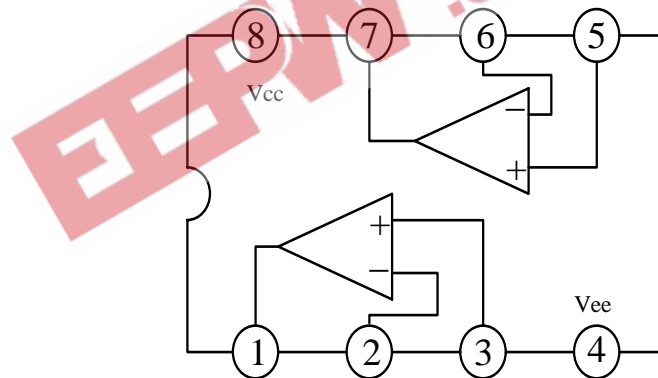
DESCRIPTION

The YD4560 is a monolithic integrated circuit designed for dual operational amplifier.

FEATURES

- *Operating Voltage ($\pm 4V \sim \pm 18V$);
- *NO frequency compensation required;
- *Slew Rate ($4V/\mu s$ typ);
- *Internally frequency compensated
- *Low noise input transistors($V_{ni}=1.2 \mu V$)
- *Package Outline DIP8,SOP8;
- *Bipolar Technology。

BLOCK DIAGRAM



WuXi YouDa Electronics Co., Ltd

Add: No.5 Xijin Road, National Hi-Tech Industrial Development Zone, Wuxi Jiangsu China

Tel: 86-510-85205117 86-510-85205106 Fax: 86-510-85205110 Website: www.e-youda.com

SHENZHEN OFFICE Tel: 86-755-83740369 Fax: 86-755-83741418

ABSOLUTE MAXIMUM RATINGS($T_{amb}=25^{\circ}C$)

CHARACTERISTIC	SYMBOL	VALUE	UNIT
Supply Voltage	V_{CC}	± 18	V
Differential input Voltage	V_{ID}	± 30	V
Power Dissipation	DIP8	500	mW
	SOP8	300	
Input Voltage	V_I	± 15	V
Operating Temperature	T_{OPR}	$-20\sim+75$	$^{\circ}C$
Storage Temperature	T_{STG}	$-40\sim+125$	$^{\circ}C$

ELECTRICAL CHARACTERISTICS

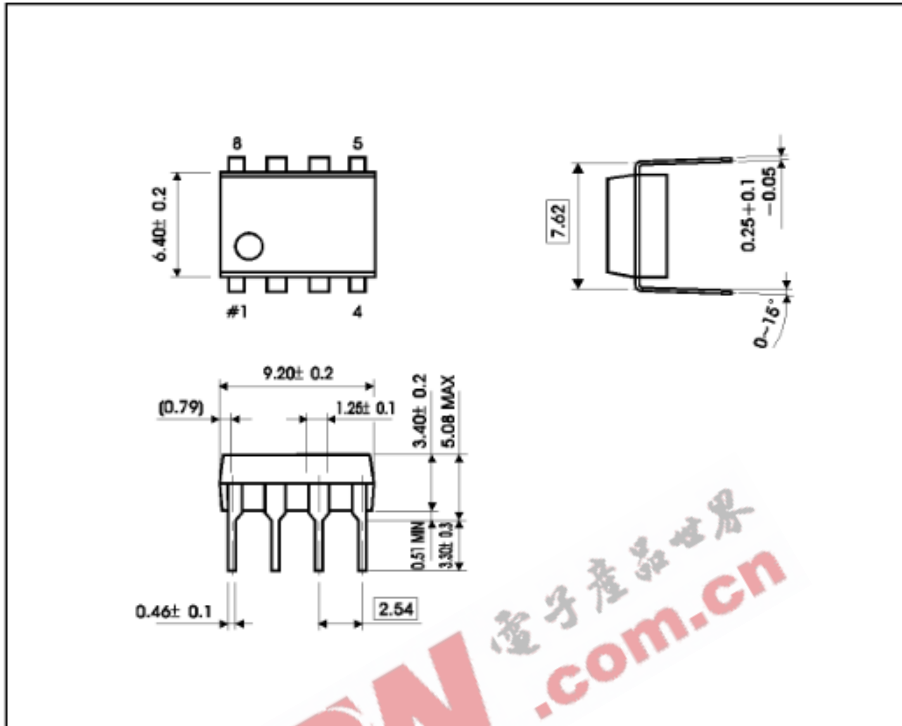
($V_{CC}=15V, V_{EE}=-15V, T_{amb}=25^{\circ}C$, Unless otherwise specified)

CHARACTERISTIC	SYMBOL	TEST CONDITION	MIN	TYP	MAX	UNIT
Supply Current	I_{CC}			4.3	5.7	mA
Input offset Voltage	V_{IO}	$R_s < 10k \Omega$		0.5	6	mV
Input offset Current	I_{IO}			5	200	nA
Input bias current	I_B			40	500	nA
Input Resistance	R_{IN}		0.3	5		$M \Omega$
Large signal voltage gain	A_v	$V_O = \pm 10V,$ $R_L = 2k \Omega$	86	100		dB
Common Mode Input Voltage Range	V_{ICM}		± 12	± 14		V
Maximum Output Voltage1	V_{OM1}	$R_L \geq 2k \Omega$	± 12	± 14		V
Maximum Output Voltage1	V_{OM2}	$I_o = 25mA$	± 10	± 11.5		V
Common Mode Rejection Ratio	K_{CMR}		70	90		dB
Supply Voltage Rejection Ratio	K_{SVR}		76.5	90		dB
Gain Bandwidth Product	GB			10		MHz
Slew Rate	SR			4.0		$V/\mu s$
Equivalent Input Noise Voltage	V_{NI}	$R_s = 2k \Omega, f = 30Hz \sim 30kHz$		1.2		μV_{rms}

OUTLINE DRAWING

DIP-8

unit:mm



SOP-8

unit:mm

