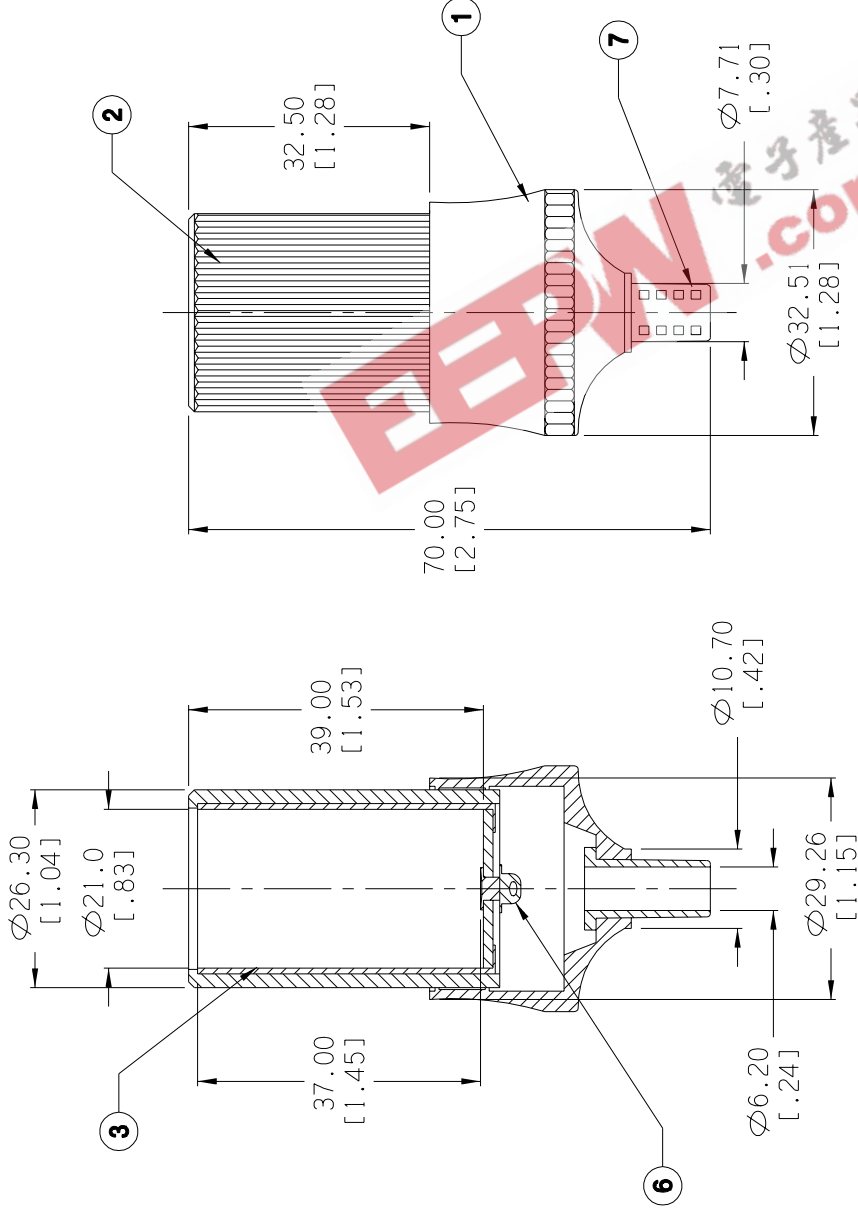
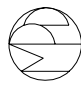


Date	SYM	REVISION RECORD	AUTH	DR	CK



ITEM NO.	PART NAME	MATL. SPECIFICATION
1	CAP	ABS, UL94-HB, FILE NO. E56070(S)
2	BODY	ABS, UL94-HB, FILE NO. E56070(S)
3	(-) TERMINAL	BRASS
4	INSULATION	BAKELITE, UL FILE NO. E59481(S)
5	BASE	BRASS
6	(+) TERMINAL	BRASS
7	STRAIN RELIEF	PVC

	Memory Protection Devices, Inc	
	200 Broad Hollow Road, Farmingdale, New York 11735	
Tolerance (Inches)	Scale	Drawn By B.S.
Decimal		Approved By T.B.
±.5 (.020)		
Fractional	Title	
±.8 (.030)	PLASTIC CIGARETTE SOCKET	
Angular	Date	Drawing Number
± 3°	12/07/02	ZA2010