

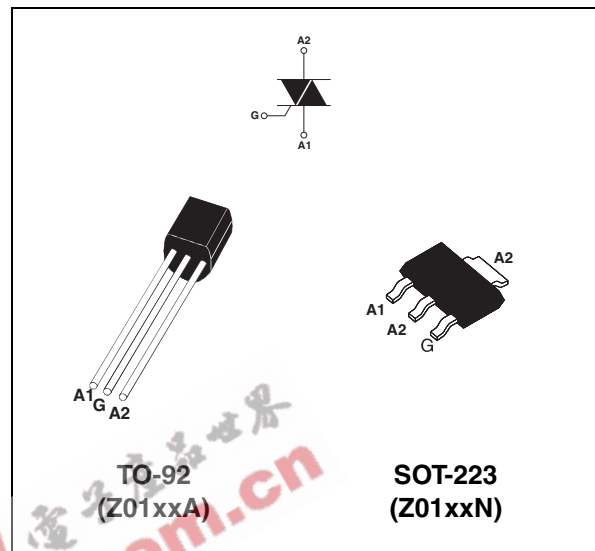
Table 1: Main Features

| Symbol | Value | Unit |
|-------------------|------------|------|
| $I_{T(RMS)}$ | 1 | A |
| V_{DRM}/V_{RRM} | 600 to 800 | V |
| $I_{GT}(Q_1)$ | 3 to 25 | mA |

DESCRIPTION

The Z01 series is suitable for general purpose AC switching applications. They can be found in applications such as home appliances (electrovalve, pump, door lock, small lamp control), fan speed controllers,...

Different gate current sensitivities are available, allowing optimized performances when controlled directly from microcontrollers.


Table 2: Order Codes

| Part Number | Marking |
|-------------|----------------------------|
| Z01xxA | See page table 8 on page 7 |
| Z01xxN | |

Table 3: Absolute Maximum Ratings

| Symbol | Parameter | Value | Unit | |
|--------------------|---|--|--------------------------------|-------------|
| $I_{T(RMS)}$ | RMS on-state current (full sine wave) | SOT-223 $T_{tab} = 90^{\circ}C$ | 1 | A |
| | | TO-92 $T_L = 50^{\circ}C$ | | |
| I_{TSM} | Non repetitive surge peak on-state current (full cycle, T_j initial = $25^{\circ}C$) | F = 50 Hz t = 20 ms | 8 | A |
| | | F = 60 Hz t = 16.7 ms | 8.5 | |
| I^2t | I^2t Value for fusing | $t_p = 10$ ms | 0.35 | A^2s |
| di/dt | Critical rate of rise of on-state current $I_G = 2 \times I_{GT}$, $t_r \leq 100$ ns | F = 120 Hz $T_j = 125^{\circ}C$ | 20 | $A/\mu s$ |
| I_{GM} | Peak gate current | $t_p = 20$ μs $T_j = 125^{\circ}C$ | 1 | A |
| $P_{G(AV)}$ | Average gate power dissipation | $T_j = 125^{\circ}C$ | 1 | W |
| T_{stg} T_j | Storage junction temperature range Operating junction temperature range | | - 40 to + 150 - 40 to + 125 | $^{\circ}C$ |

Tables 4: Electrical Characteristics ($T_j = 25^\circ\text{C}$, unless otherwise specified)

| Symbol | Test Conditions | Quadrant | | Z01 | | | | Unit |
|-----------------|--|-------------------|------|--------|--------|----------|----------|------------------|
| | | | | 03 | 07 | 09 | 10 | |
| I_{GT} (1) | $V_D = 12\text{ V}$ $R_L = 30\ \Omega$ | I - II - III - IV | MAX. | 3 5 | 5 7 | 10 10 | 25 25 | mA |
| V_{GT} | | ALL | MAX. | 1.3 | | | | |
| V_{GD} | $V_D = V_{DRM}$ $R_L = 3.3\ \text{k}\Omega$ $T_j = 125^\circ\text{C}$ | ALL | MIN. | 0.2 | | | | V |
| I_H (2) | $I_T = 50\ \text{mA}$ | | MAX. | 7 | 10 | 10 | 25 | mA |
| I_L | $I_G = 1.2\ I_{GT}$ | I - III - IV | MAX. | 7 | 10 | 15 | 25 | mA |
| | | II | | 15 | 20 | 25 | 50 | |
| dV/dt (2) | $V_D = 67\ \%V_{DRM}$ gate open $T_j = 110^\circ\text{C}$ | | MIN. | 10 | 20 | 50 | 100 | V/ μs |
| $(dI/dt)_c$ (2) | $(dV/dt)_c = 0.44\ \text{A/ms}$ $T_j = 110^\circ\text{C}$ | | MIN. | 0.5 | 1 | 2 | 5 | A/ms |

Table 5: Static Characteristics

| Symbol | Test Conditions | | Value | Unit | |
|------------------------|--------------------------|--------------------------|-------|------|---------------|
| V_{TM} (2) | $I_{TM} = 1.4\ \text{A}$ | $t_p = 380\ \mu\text{s}$ | MAX. | 1.56 | V |
| V_{to} (2) | Threshold voltage | | MAX. | 0.95 | V |
| R_d (2) | Dynamic resistance | | MAX. | 400 | m Ω |
| I_{DRM} I_{RRM} | $V_{DRM} = V_{RRM}$ | | MAX. | 5 | μA |
| | | | | 0.5 | mA |

Note 1: minimum I_{GT} is guaranteed at 5% of I_{GT} max.

Note 2: for both polarities of A2 referenced to A1.

Table 6: Thermal resistances

| Symbol | Parameter | | Value | Unit | |
|---------------|-----------------------|----------------------|---------|--------------------|--------------------|
| $R_{th(j-t)}$ | Junction to tab (AC) | | SOT-223 | $^\circ\text{C/W}$ | |
| $R_{th(j-l)}$ | Junction to lead (AC) | | TO-92 | | |
| $R_{th(j-a)}$ | Junction to ambient | $S = 5\ \text{cm}^2$ | SOT-223 | 60 | $^\circ\text{C/W}$ |
| | | | TO-92 | 150 | |

S = Copper surface under tab.

Figure 1: Maximum power dissipation versus RMS on-state current (full cycle)

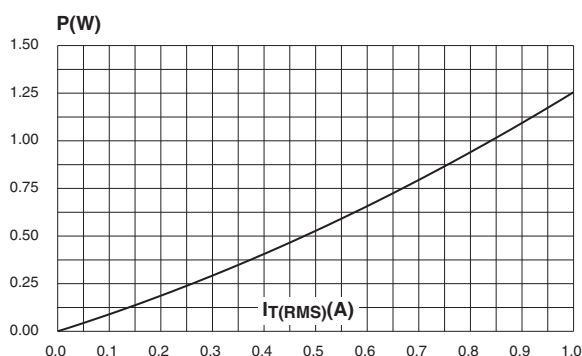


Figure 2: RMS on-state current versus case temperature (full cycle)

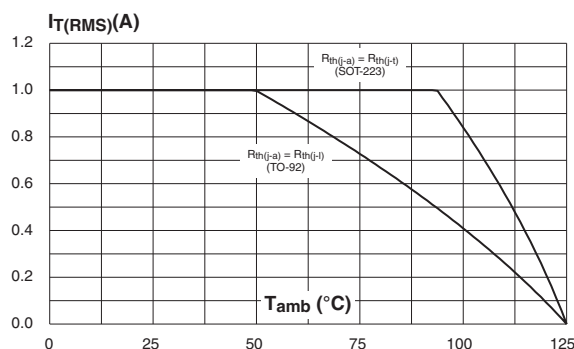


Figure 3: RMS on-state current versus ambient temperature (full cycle)

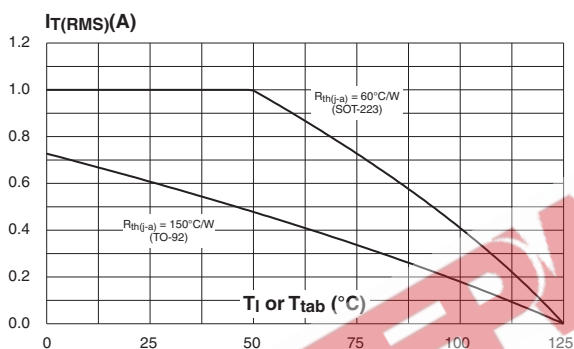


Figure 4: Relative variation of thermal impedance versus pulse duration

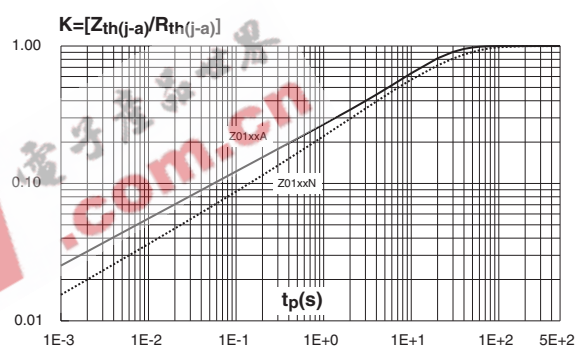


Figure 5: Relative variation of gate trigger current, holding current and latching current versus junction temperature (typical values)

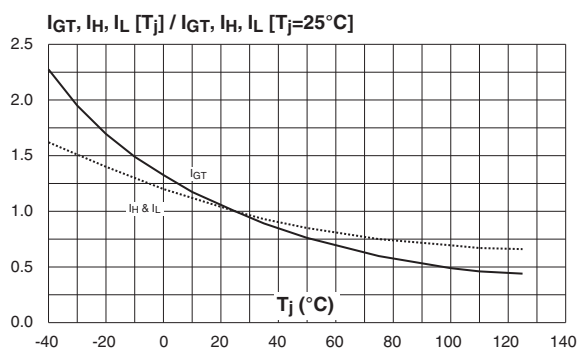


Figure 6: Surge peak on-state current versus number of cycles

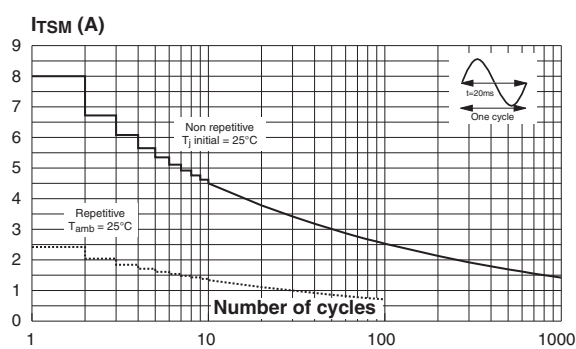


Figure 7: Non-repetitive surge peak on-state current for a sinusoidal pulse with width $t_p < 10$ ms and corresponding value of I^2t

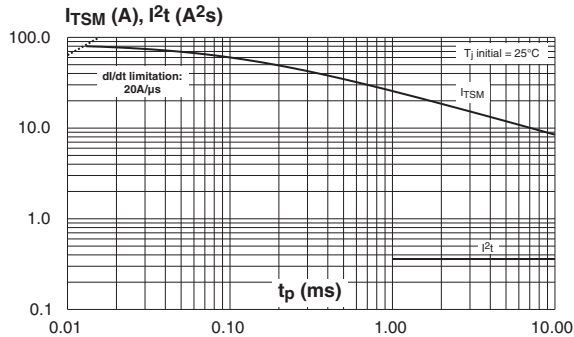


Figure 8: On-state characteristics (maximum values)

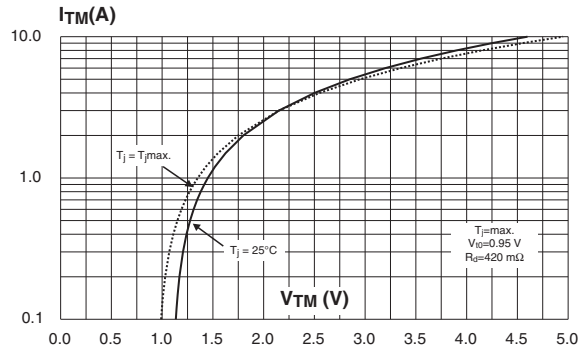


Figure 9: Relative variation of critical rate of decrease of main current versus $(dV/dt)_c$ (typical values)

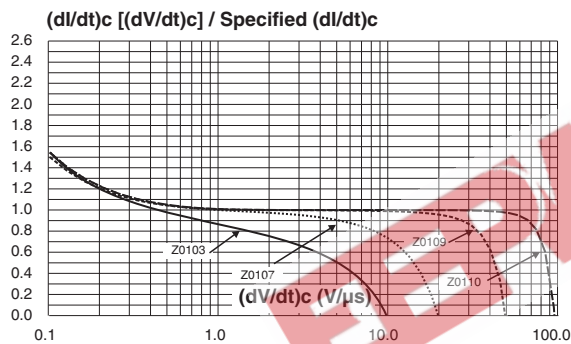


Figure 10: Relative variation of critical rate of decrease of main current versus junction temperature

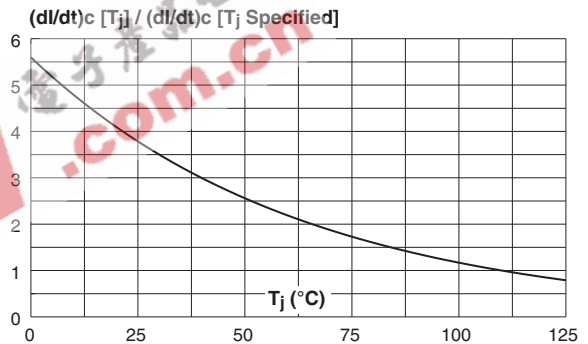


Figure 11: SOT-223 Thermal resistance junction to ambient versus copper surface under tab (printed circuit board FR4, copper thickness: $35 \mu m$)

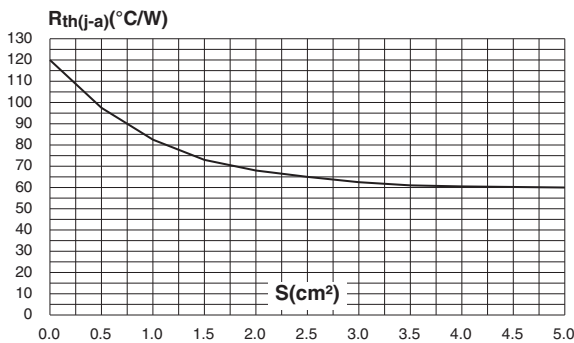


Figure 12: Ordering Information Scheme

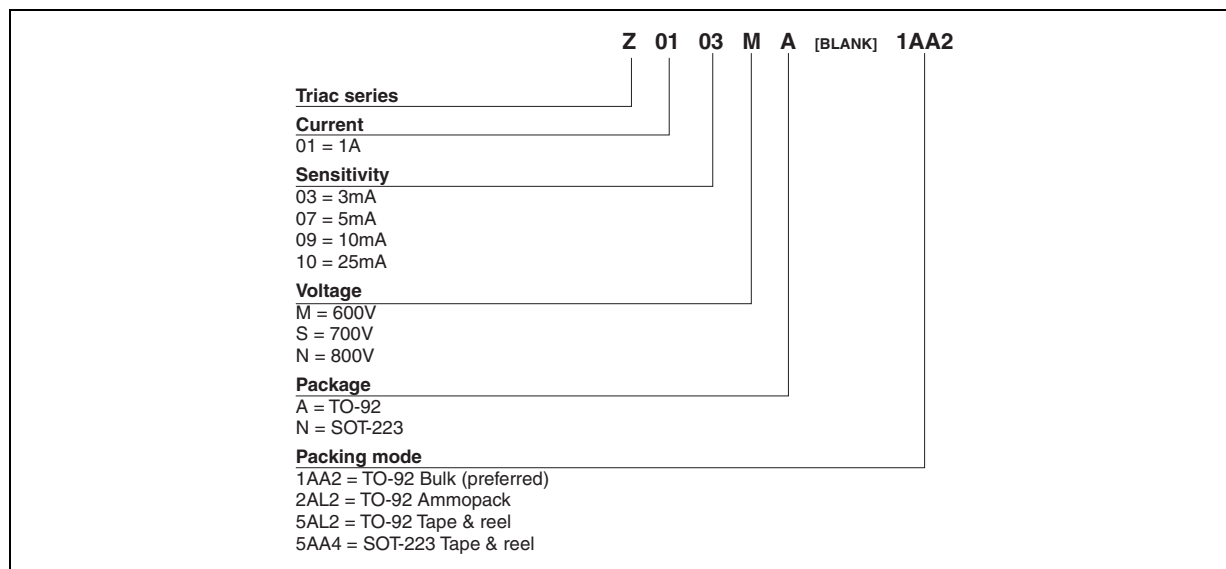


Table 7: Product Selector

| Part Number | Voltage | | | Sensitivity | Type | Package |
|-------------|---------|-------|-------|-------------|----------|---------|
| | 600 V | 700 V | 800 V | | | |
| Z0103MA | X | | | 3 mA | Standard | TO-92 |
| Z0103MN | X | | | 3 mA | Standard | SOT-223 |
| Z0103SA | | X | | 3 mA | Standard | TO-92 |
| Z0103SN | | X | | 3 mA | Standard | SOT-223 |
| Z0103NA | | | X | 3 mA | Standard | TO-92 |
| Z0103NN | | | X | 3 mA | Standard | SOT-223 |
| Z0107MA | X | | | 5 mA | Standard | TO-92 |
| Z0107MN | X | | | 5 mA | Standard | SOT-223 |
| Z0107SA | | X | | 5 mA | Standard | TO-92 |
| Z0107SN | | X | | 5 mA | Standard | SOT-223 |
| Z0107NA | | | X | 5 mA | Standard | TO-92 |
| Z0107NN | | | X | 5 mA | Standard | SOT-223 |
| Z0109MA | X | | | 10 mA | Standard | TO-92 |
| Z0109MN | X | | | 10 mA | Standard | SOT-223 |
| Z0109SA | | X | | 10 mA | Standard | TO-92 |
| Z0109SN | | X | | 10 mA | Standard | SOT-223 |
| Z0109NA | | | X | 10 mA | Standard | TO-92 |
| Z0109NN | | | X | 10 mA | Standard | SOT-223 |
| Z0110MA | X | | | 25 mA | Standard | TO-92 |
| Z0110MN | X | | | 25 mA | Standard | SOT-223 |
| Z0110SA | | X | | 25 mA | Standard | TO-92 |
| Z0110SN | | X | | 25 mA | Standard | SOT-223 |
| Z0110NA | | | X | 25 mA | Standard | TO-92 |
| Z0110NN | | | X | 25 mA | Standard | SOT-223 |

Figure 13: SOT-223 Package Mechanical Data

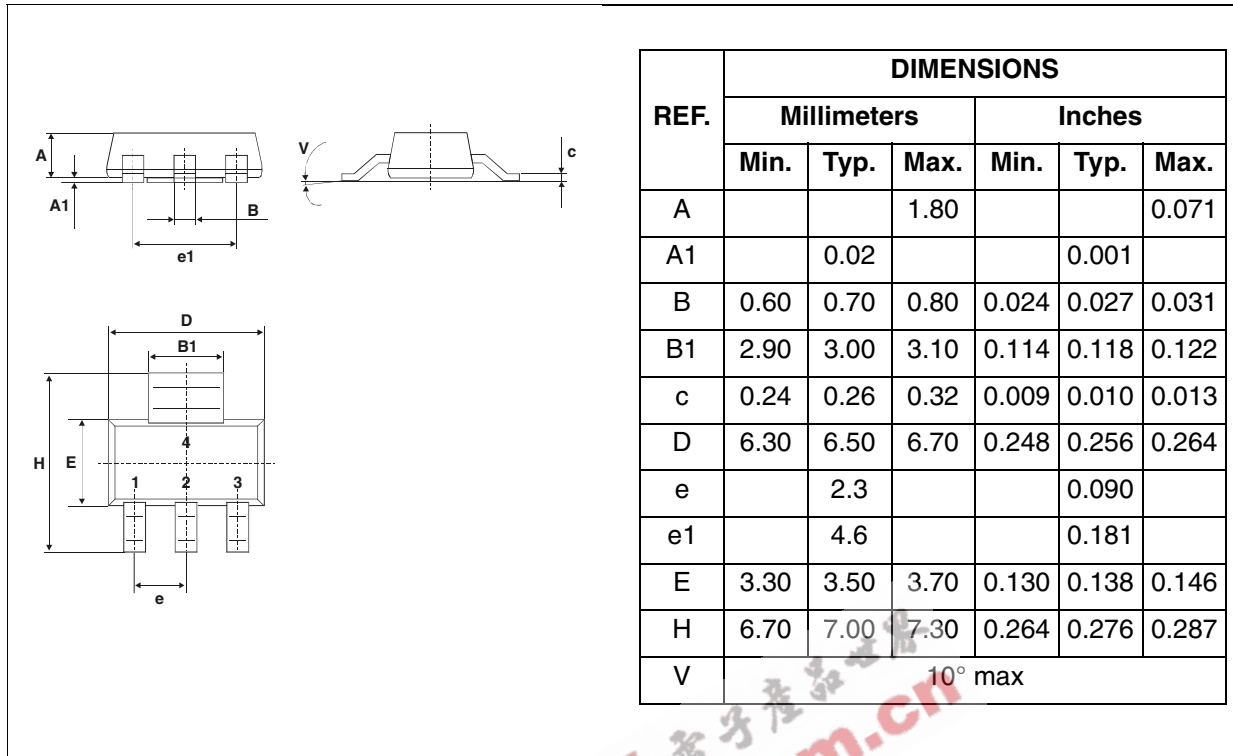


Figure 14: SOT-223 Foot Print Dimensions (in millimeters)

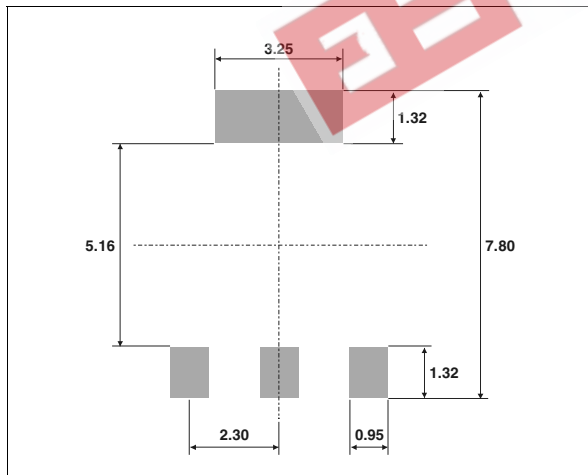


Figure 15: TO-92 Package Mechanical Data

| REF. | DIMENSIONS | | | | | |
|------|-------------|------|------|--------|-------|-------|
| | Millimeters | | | Inches | | |
| | Min. | Typ. | Max. | Min. | Typ. | Max. |
| A | | 1.35 | | | 0.053 | |
| B | | | 4.70 | | | 0.185 |
| C | | 2.54 | | | 0.100 | |
| D | 4.40 | | | 0.173 | | |
| E | 12.70 | | | 0.500 | | |
| F | | | 3.70 | | | 0.146 |
| a | | | 0.50 | | | 0.019 |

Table 8: Ordering Information

| Ordering type | Marking | Weight | Base quantity | Delivery mode |
|---------------|---------|--------|---------------|---------------|
| Z01xxyA 1AA2 | Z01xxyA | 0.2 g | 2500 | Bulk |
| Z01xxyA 2AL2 | Z01xxyA | 0.2 g | 2000 | Ammopack |
| Z01xxyA 5AL2 | Z01xxyA | 0.2 g | 2000 | Tape & reel |
| Z0103yN 5AA4 | Z3y | 0.12 g | 1000 | Tape & reel |
| Z0107yN 5AA4 | Z7y | 0.12 g | 1000 | Tape & reel |
| Z0109yN 5AA4 | Z9y | 0.12 g | 1000 | Tape & reel |

Note: xxx = sensitivity, y = voltage

Table 9: Revision History

| Date | Revision | Description of Changes |
|-------------|----------|--|
| Oct-2001 | 4 | Last update. |
| 10-Feb-2005 | 5 | Package: TO-92 tape & reel delivery mode 5AL2 added. |



Information furnished is believed to be accurate and reliable. However, STMicroelectronics assumes no responsibility for the consequences of use of such information nor for any infringement of patents or other rights of third parties which may result from its use. No license is granted by implication or otherwise under any patent or patent rights of STMicroelectronics. Specifications mentioned in this publication are subject to change without notice. This publication supersedes and replaces all information previously supplied. STMicroelectronics products are not authorized for use as critical components in life support devices or systems without express written approval of STMicroelectronics.

The ST logo is a registered trademark of STMicroelectronics.
All other names are the property of their respective owners

© 2005 STMicroelectronics - All rights reserved

STMicroelectronics group of companies

Australia - Belgium - Brazil - Canada - China - Czech Republic - Finland - France - Germany - Hong Kong - India - Israel - Italy - Japan - Malaysia - Malta - Morocco - Singapore - Spain - Sweden - Switzerland - United Kingdom - United States of America
www.st.com