

PRECISION 3.3 VOLT LOW KNEE CURRENT VOLTAGE REFERENCE

ISSUE 5 - JANUARY 2003

ZRC330

DEVICE DESCRIPTION

The ZRC330 uses a bandgap circuit design to achieve a precision micropower voltage reference of 3.3 volts. The device is available in a small outline surface mount package, ideal for applications where space saving is important.

The ZRC330 design provides a stable voltage without an external capacitor and is stable with capacitive loads. The ZRC330 is recommended for operation between 20 μ A and 5mA and so is ideally suited to low power and battery powered applications.

Excellent performance is maintained to an absolute maximum of 25mA, however the rugged design and 20 volt processing allows the reference to withstand transient effects and currents up to 200mA. Superior switching capability allows the device to reach stable operating conditions in only a few microseconds.

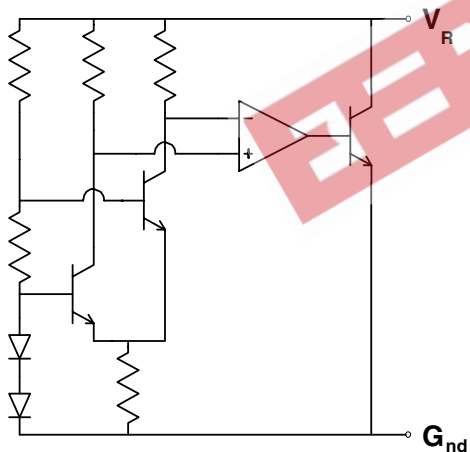
FEATURES

- Small outline SOT23 and TO92 style packages
- No stabilising capacitor required
- Low knee current, 15 μ A typical
- Typical slope resistance 0.6 Ω
- $\pm 3\%$, 2% and 1% tolerance
- Industrial temperature range
- Operating current 20 μ A to 5mA

APPLICATIONS

- Battery powered and portable equipment.
- Metering and measurement systems.
- Instrumentation.
- Test equipment.
- Data acquisition systems.
- Precision power supplies.
- Crystal oscillators

SCHEMATIC DIAGRAM



ZRC330

ABSOLUTE MAXIMUM RATING

| | |
|-----------------------|--------------|
| Reverse Current | 25mA |
| Forward Current | 25mA |
| Operating Temperature | -40 to 85°C |
| Storage Temperature | -55 to 125°C |

Power Dissipation (T_{amb}=25°C)

| | |
|----------------------|-------|
| SOT23 | 330mW |
| E-Line, 3 pin (TO92) | 500mW |

ELECTRICAL CHARACTERISTICS

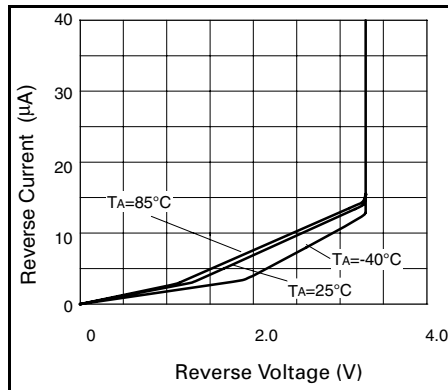
TEST CONDITIONS (Unless otherwise stated) T_{amb}=25°C

| SYMBOL | PARAMETER | CONDITIONS | LIMITS | | | TOL.% | UNITS |
|------------------|---|---|--------|-----|-------|-------|---------|
| | | | MIN | TYP | MAX | | |
| V _R | Reverse Breakdown Voltage | I _R =150μA | 3.27 | 3.3 | 3.33 | 1 | V |
| | | | 3.234 | 3.3 | 3.366 | 2 | |
| | | | 3.2 | 3.3 | 3.4 | 3 | |
| I _{MIN} | Minimum Operating Current | | | 15 | 20 | | μA |
| I _R | Recommended Operating Current | | 0.02 | | 5 | | mA |
| T _C † | Average Reverse Breakdown Voltage Temp. Co. | I _{R(min)} to I _{R(max)} | | 15 | 50 | | ppm/°C |
| R _S § | Slope Resistance | | | 0.6 | 2 | | Ω |
| Z _R | Reverse Dynamic Impedance | I _R = 1mA f = 100Hz I _{AC} = 0.1 I _R | | 0.5 | 1.2 | | Ω |
| E _N | Wideband Noise Voltage | I _R = 150μA f = 10Hz to 10kHz | | 75 | | | μV(rms) |

$$\dagger T_C = \frac{(V_{R(max)} - V_{R(min)}) \times 1000000}{V_R \times (T_{(max)} - T_{(min)})}$$

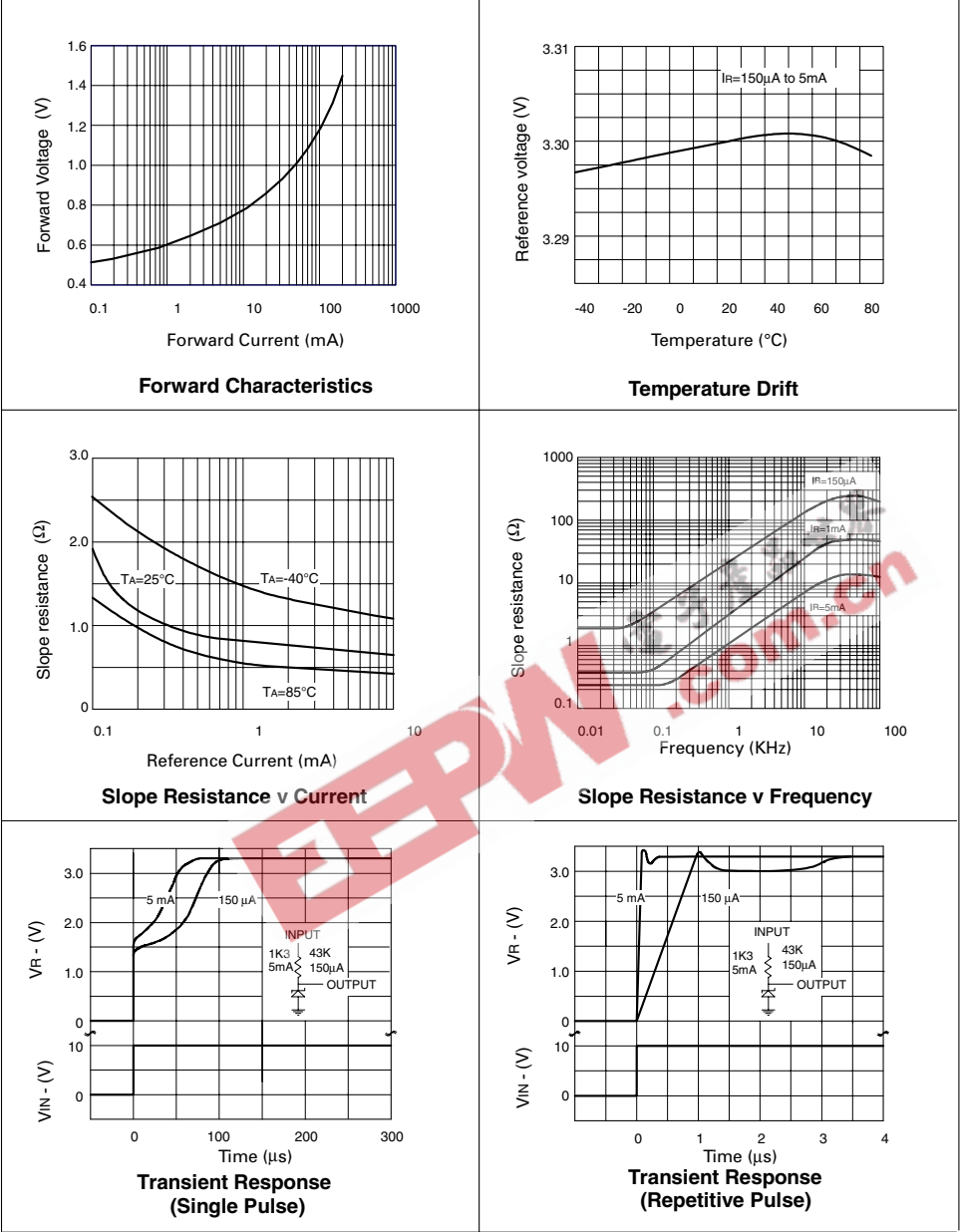
Note: V_{R(max)} - V_{R(min)} is the maximum deviation in reference voltage measured over the full operating temperature range.

$$\S R_S = \frac{V_R \text{ Change } (I_{R(min)} \text{ to } I_{R(max)})}{I_{R(max)} - I_{R(min)}}$$



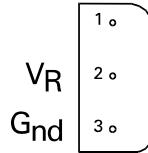
ZRC330

TYPICAL CHARACTERISTICS



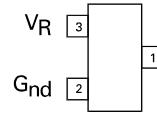
ZRC330

E-Line, 3 pin Package Suffix - A



Bottom View -
Pin 1 floating or connected to pin 3

SOT23 Package Suffix - F



Top View -
Pin 1 floating or connected to pin 2

ZRC330

ORDERING INFORMATION

| Part No | To% | Package | Partmark |
|-----------|-----|----------|----------|
| ZRC330A03 | 3 | E-Line • | ZRC33003 |
| ZRC330A02 | 2 | E-Line • | ZRC33002 |
| ZRC330A01 | 1 | E-Line • | ZRC33001 |
| ZRC330F03 | 3 | SOT23 | 33A |
| ZRC330F02 | 2 | SOT23 | 33B |
| ZRC330F01 | 1 | SOT23 | 33C |

- E-Line 3 pin

EEPW 电子产品世界
.com.cn