

Continuous Forward Current	IF	100	mA
Peak Pulsed Forward Current *	IFM	1	A
Reverse Voltage	VR	6	V
Power Dissipation @ Tamb = 25°C	PTOT	175	mW
Operating And Storage Temperature Range		-40 TO +100	°C
Lead Soldering Temperature ( <sup>1</sup> / <sub>16</sub> " from case)		260	°C

\* Pulsed width = 10μs, duty Ratio = 0.01.



EEPW 电子产品世界  
.com.cn

ZME50

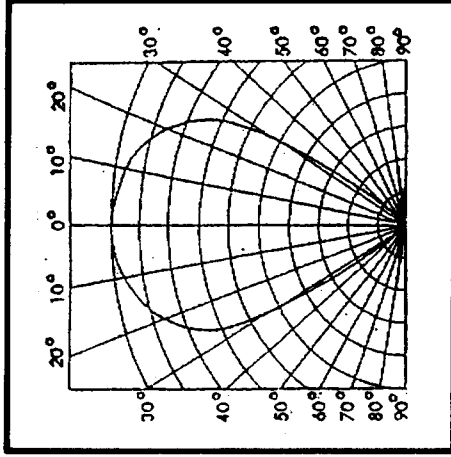
ZME50

CHARACTERISTICS (at Tamb = 25°C unless otherwise stated).

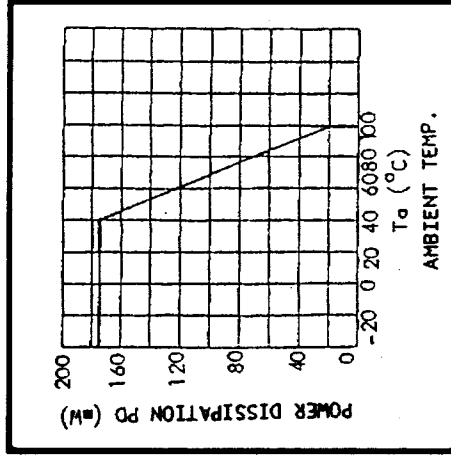
PARAMETER	SYMBOL	MIN	TYP.	MAX.	UNIT	CONDITIONS.
Radiant Power	P <sub>O</sub>	2.62	4.5		mW	I <sub>F</sub> =20mA
Forward Voltage	V <sub>F</sub>		1.6	2.0	V	I <sub>F</sub> =100mA
Reverse Current	I <sub>R</sub>			10	μA	V <sub>R</sub> =5V
Switching Times	t <sub>r</sub>		2		μs	I <sub>F</sub> =20mA
	t <sub>f</sub>		1		μs	I <sub>F</sub> =20mA
Peak Wavelength	λ <sub>P</sub>		940		nm	I <sub>F</sub> =20mA
Spectral Bandwidth	Δλ	45			nm	I <sub>F</sub> =20mA
Half Angle	∅		±25		DEG	

TYPICAL CHARACTERISTICS.

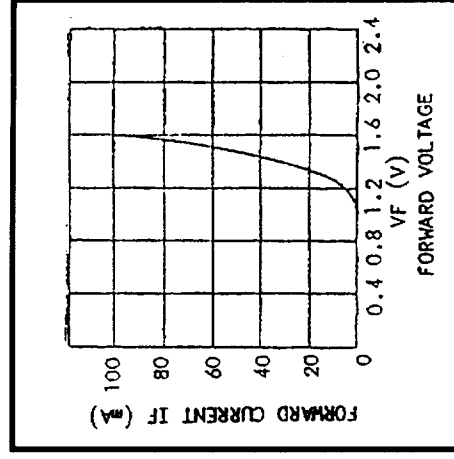
RADIATION PATTERN (I<sub>A</sub> = 25°C)



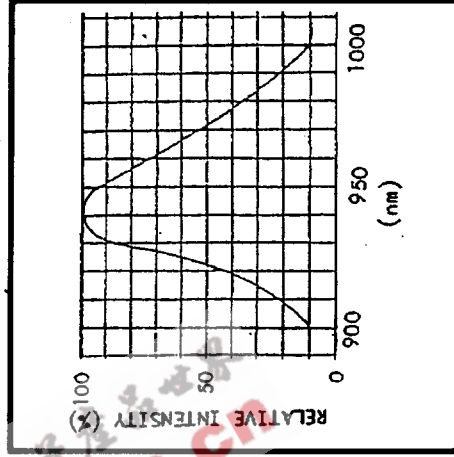
POWER DISSIPATION



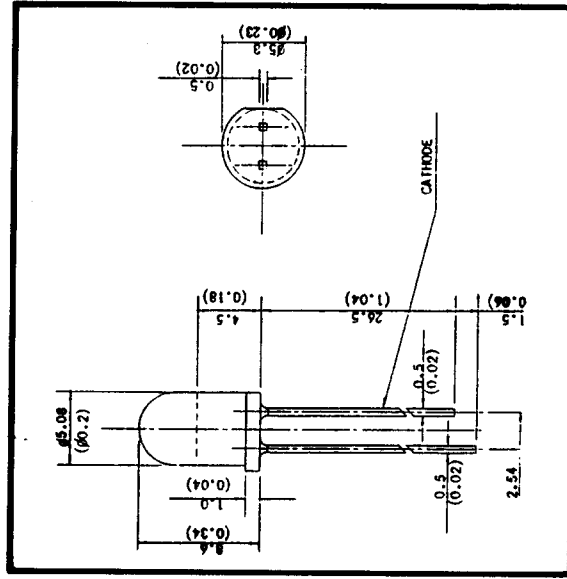
FORWARD CURRENT VS FORWARD VOLTAGE



RELATIVE INTENSITY VS WAVELENGTH



PACKAGE DETAILS



ZETEX

ZETEX

ZME50

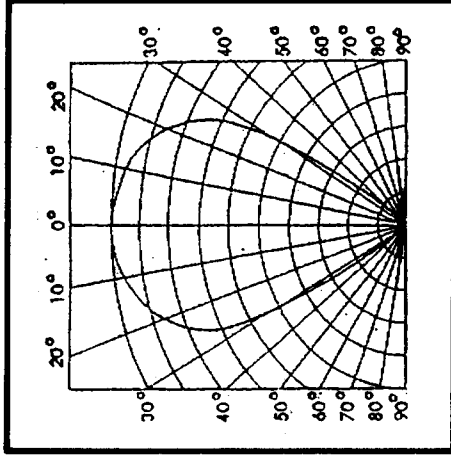
CHARACTERISTICS (at Tamb = 25°C unless otherwise stated).

PARAMETER	SYMBOL	MIN	TYP.	MAX.	UNIT	CONDITIONS.
Radiant Power	P <sub>O</sub>	2.62	4.5		mW	I <sub>F</sub> =20mA
Forward Voltage	V <sub>F</sub>		1.6	2.0	V	I <sub>F</sub> =100mA
Reverse Current	I <sub>R</sub>			10	μA	V <sub>R</sub> =5V
Switching Times	t <sub>r</sub>		2		μs	I <sub>F</sub> =20mA
	t <sub>f</sub>		1		μs	
Peak Wavelength	λ <sub>P</sub>		940		nm	I <sub>F</sub> =20mA
Spectral Bandwidth	Δλ	45			nm	I <sub>F</sub> =20mA
Half Angle	∅		±25		DEG	

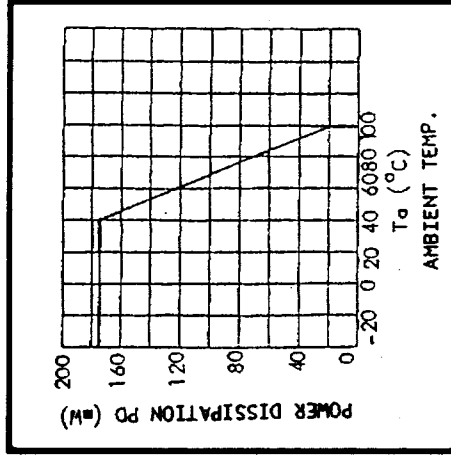
ZME50

TYPICAL CHARACTERISTICS.

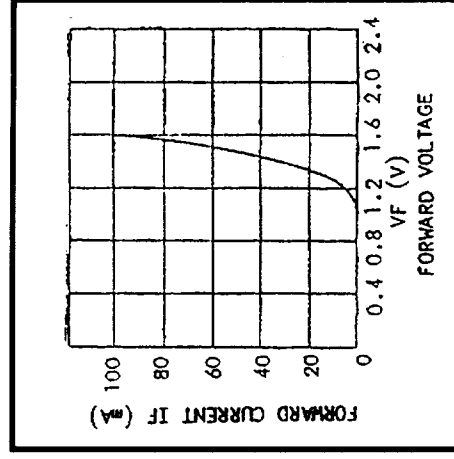
RADIATION PATTERN (T<sub>A</sub> = 25°C)



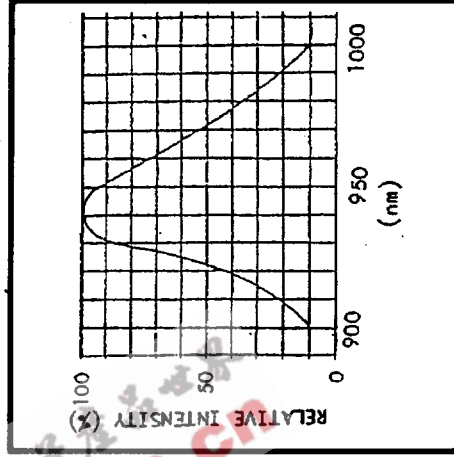
POWER DISSIPATION



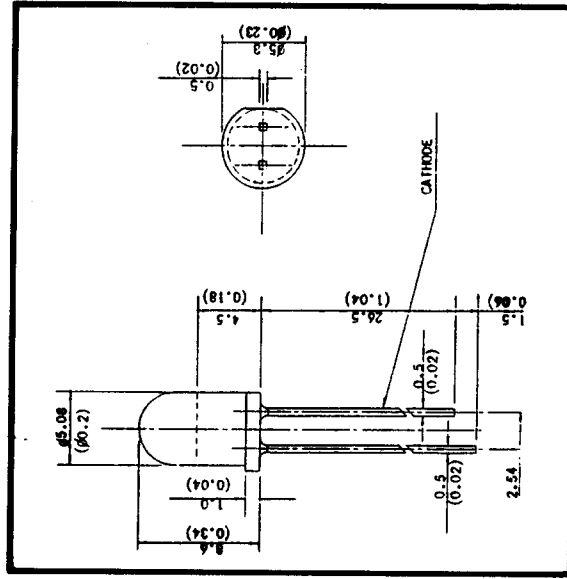
FORWARD CURRENT VS FORWARD VOLTAGE



RELATIVE INTENSITY VS WAVELENGTH



PACKAGE DETAILS



ZETEX

ZETEX