

SupraHD[®] 640 ATSC Converter Module

Driving the Digital Lifestyle

Reference Design

DVD

Digital Camera

Digital TV

Imaging

IP Core

Product Brief

Zoran Corporation
1390 Kifer Road
Sunnyvale, CA 94086-5305

Tel 408.523.6500
Fax 408.523.6501
www.zoran.com



Description

Zoran's SupraHD-640 ATSC reference design is a complete hardware and software solution for building a low-cost ATSC DTV Module that upgrades an existing NTSC Television to be ATSC compliant. The reference design consists of a hardware module ready for manufacturing and a TV application with complete middleware software stack, including closed-caption support. The hardware module accepts all the ATSC formats (480i, 480p, 720p, 1080i) and outputs 480i to a NTSC TV.

The SupraHD-640 DTV System IC is highly integrated, consisting of an MPEG-2 HD decoder, high-performance CPU, power graphics engine and video scaler. It also supports a variety of system interfaces, such as an infrared receiver, flash memory and DDR SDRAM interfaces. The decoded ATSC video stream can be output in component (YPbPr), composite (CVBS), and S-video (Y/C) formats. Audio can be output via an SPDIF interface or in analog format (L/R) using the chip's integrated audio DAC. Designed to use the minimum external components, the SupraHD-640 requires only memory, ATSC demodulator, ATSC tuner, and a small number of passive components to build a complete ATSC DTV Module.

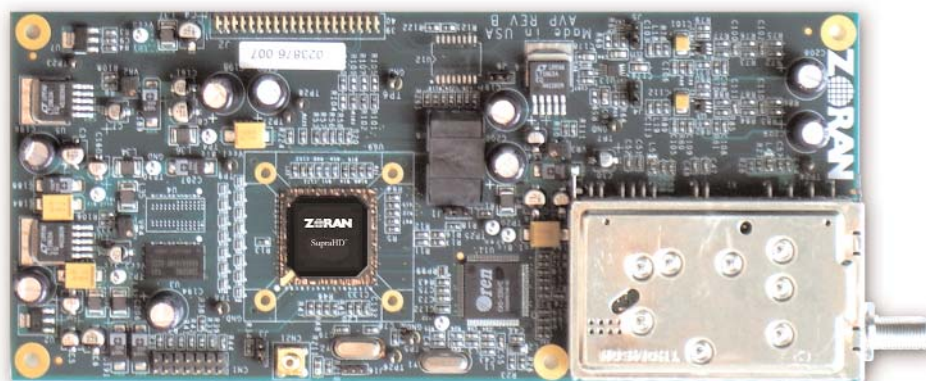
Key Hardware Features

- SupraHD-640 DTV System IC
- NOR Flash Memory: 4MByte
- DDR SDRAM: 32MByte
- ATSC Tuner
- Zoran 8VSB Demodulator
- Video In: ATSC
- Video Out: YPbPr
- Audio Out: L/R Channels
- IR Remote, I2C, RS-232, and EJTAG interfaces

System Software Features

- ATSC DTV application software
- PSIP Parsing for channel map
- Digital Closed-Captioning (EIA-608)
- Transport, Video Decode (single MP@HL), Audio Decode (AC-3, MPEG Layer 1/2/3), Graphics, and Display drivers
- Peripheral drivers for Tuner and Demodulator
- Thread-X royalty-free operating system

Zoran's ATSC DTV Module

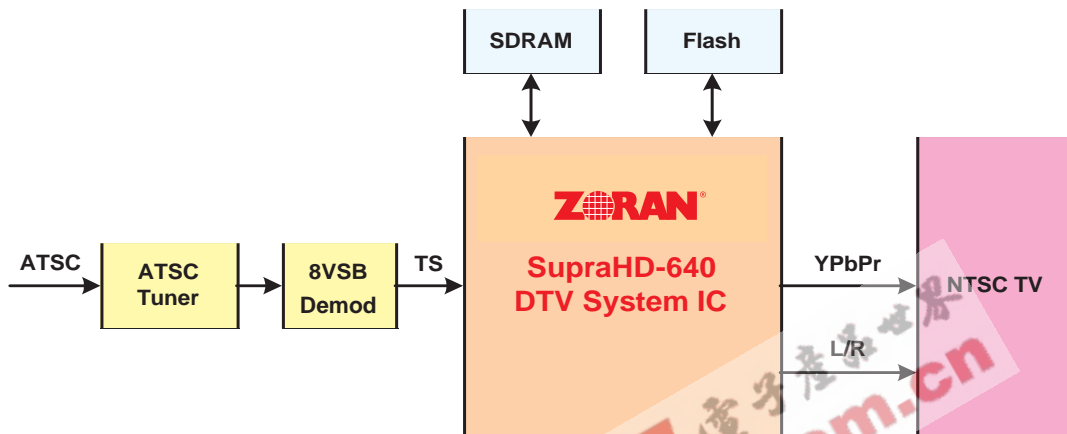


Reference Design

Product Brief



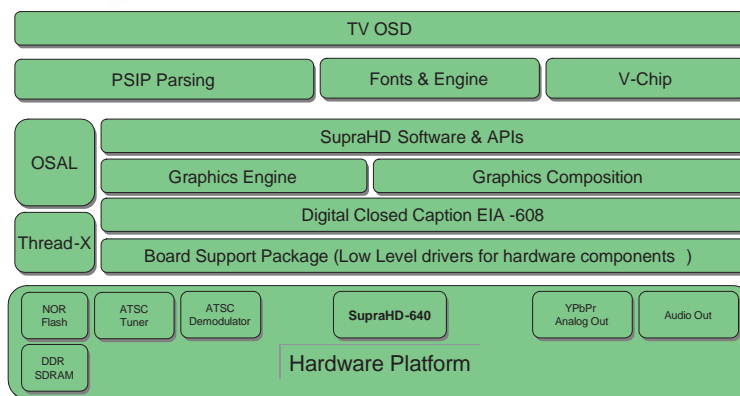
System Block Diagram



Package Contents

- DTV hardware reference board
- Power adapter, remote control, and necessary cables
- Pre-loaded ATSC software on flash memory
- Complete documentation for reference design, software, and IC on a CD-ROM

System Architecture



Export Classification Control Number (ECCN): 5A992 Product Order Code: ZR839640-ATSC-ATVX

For more information, contact Zoran's Sunnyvale office or the office nearest you:

Shanghai, China Zoran China Office Tel: 86-21-6469-9799 Fax: 86-21-6427-0545	Shenzhen, China Zoran China Office Tel: 86-755-8281-5777 Fax: 86-755-8322-0889	Hong Kong Zoran Asia Pacific Ltd. Tel: +852-2620-5838 Fax: +852-2620-5238	Israel Zoran Microelectronics Ltd. Tel: +972-4-8545-777 Fax: +972-4-8551-550	Japan Zoran Japan Office Tel: +81-3-5475-1051 Fax: +81-3-5475-1053	Korea Zoran Korea Office Tel: +82-2-761-7471 Fax: +82-2-761-7472	Taiwan Zoran Taiwan Office Tel: +886-2-2659-9797 Fax: +886-2-2659-9595
---	---	--	---	---	---	---

© Copyright 2005 Zoran Corporation. All rights reserved. Zoran, the Zoran logo, and SupraHD are trademarks of Zoran Corporation. All other brand product names and company names are trademarks of their respective owners. The information in this document is believed to be reliable, however, Zoran Corporation makes no guarantee or warranty concerning the accuracy of said information and shall not be responsible for any loss or damage of whatever nature resulting from the use of, or reliance upon it. Zoran Corporation does not guarantee that the use of any information contained herein will not infringe upon patent, trademark, copyright, or rights of third parties. Zoran Corporation reserves the right to make changes in the product and/or specifications, or both, presented in this publication at any time without notice.